

# LOTUS Fibre



## CONTROL & DISTRIBUTION PANELS

IN  
FRP.

(LOW VOLTAGE SWITCHGEAR)

- ❖ Power Distribution Board
- ❖ Lighting Distribution Board
- ❖ Control Panels
- ❖ MCC
- ❖ Feeder Pillars
- ❖ Busbar Chambers
- ❖ 24V Distribution Gear And Receptacles



# LOTUS FIBRE

FRP Enclosures are most suitable for OUTDOOR USE and the Salient features are :

- ✦ NON CORROSIVE
- ✦ WEATHER PROOF
- ✦ FIRE RETARDANT
- ✦ U.V. PROTECTED
- ✦ ELECTRICALLY INSULATED
- ✦ IMPACT RESISTANT

These Enclosures are designed for the maximum service reliability and equipment is easily mounted inside

## SIZES

### (A) GENERAL (MULTIPURPOSE) ENCLOSURES.

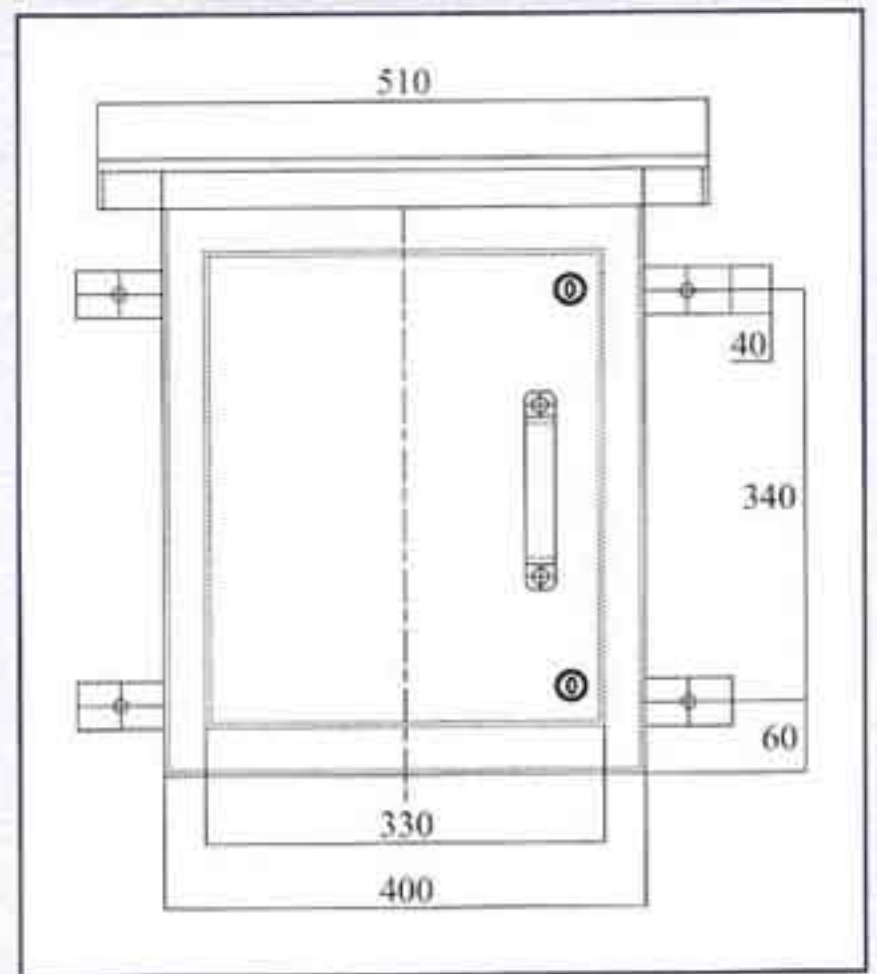
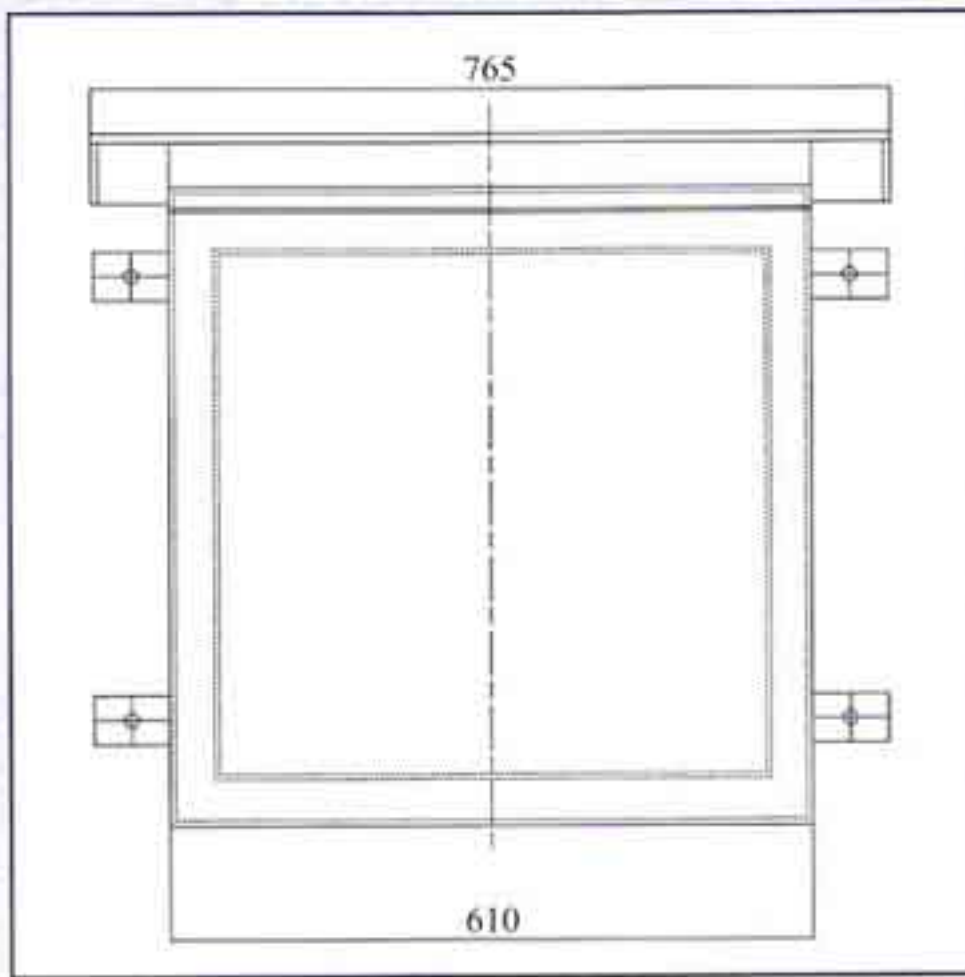
Sr.No.	HEIGHT	WIDTH	DEPTH	CANOPY	REMARKS
1	500	400	200	YES	Single Door on front
2	600	600	350	YES	Single Door on front
3	750	750	300	YES	Single Door on front
4	1100	900	380	YES	Single Door on front
5	1480	1170	660	YES	Double Door on front & Single Door on back

### (B) LIGHTING DISTRIBUTION BOARD

Sr.No.	HEIGHT	WIDTH	DEPTH	CANOPY	REMARKS
1	750	900	200	YES	Three Door on front

## Technical Details

1. Material of Construction : FRP (Fire Retardant & U.V. Stabilised)
2. Canopy : Yes (Extradeep)
3. Colour : Grey or As Required
4. Cable Glands : If required
5. Thickness : 4 to 6 mm
6. Mounting of panels : Free standing Type or Mounted against Wall (as required)
7. Earthing Point : Provided at Both Sides of the box and Connected to Grid Plate. Earthing Bus is Provided, where required.
8. Mounting of Components : On Heavy Duty GI. GRID PLATE - The Required equipment is mounted by Drilling and tapping.
9. Busbars : Tinned Copper Busbars  
(With Colour Coded heat Shrinkable Sleeves)
10. Gland Plate : Detachable Gland Plate is provided (If required)
11. Cabling / Wiring : All Cables incoming and outgoing (Power and Control) are to enter the enclosure from the bottom.  
Incoming Power Cables are terminated/connected directly to the equipment or Power Terminal Blocks.  
Control Cables are terminated at the Terminal Block provided at the appropriate Place.
12. Make of Equipment/Accessories : As Specified



## FRP POWER JUNCTION BOX



## FRP LIGHTING DISTRIBUTION BOARD

**LOTUS FIBRE<sup>TM</sup>**

Phone : (0250) 6588305 Cell : 09322133105 / 09322293750 / 09322658508

Email : [lotusfibre@yahoo.co.in](mailto:lotusfibre@yahoo.co.in) Website : [www.lotusfibre.com](http://www.lotusfibre.com)

Regd office & Works: 102 Swagat, Sagar Plaza Industrial Estate, Sativali Road,  
Vasai (E), 401208 (Via Mumbai) Maharashtra.

**LOTUS FIBRE**