



HOT MOULDED WEATHER PROOF JN BOX WITH EXTRADEEP INTEGRAL CANOPY



- **Rust Proof**
- **Maintenance free**
- **IP 65**
- **Fire Retardant**
- **U.V. Stabilised**
- **Corrosion Free**
- **No Moisture absorption**
- **Aesthetic Looks**
- **Shock Proof**

Mumbai Office : A-5/6, Mahesh Nagar, Goregaon (W), Mumbai-62.

Tel.: (022) 2872 29 06 • Fax : (022) 28734189 • Email : lotusfibre@yahoo.co.in

Regd office & Works : 102, Swagat, Sagar Plaza Industrial Estate, Sativali Road,

Vasai (E), 401208 (Via Mumbai) Maharashtra Tel.: (0250) 5685305 / 3206215

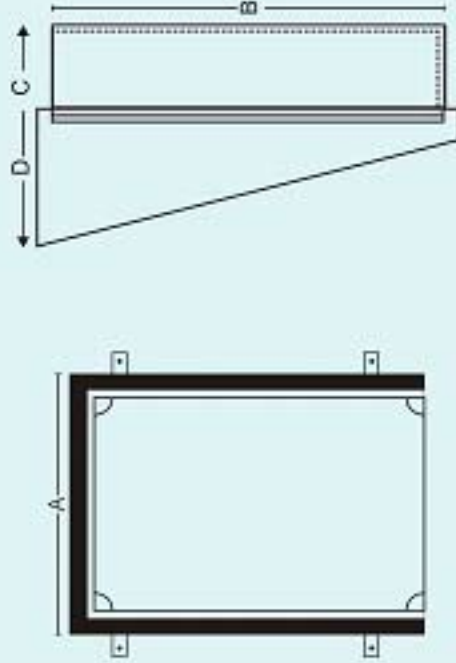
SPECIFICATION

Non FLP type FRP ENCLOSURES

MATERIAL OF CONSTRUCTION	FRP (SMC-Hot Moulded)
CANOPY	Yes (Extra Deep)
COLOUR	Normally Grey
CABLE ENTRY	From Bottom
CABLE GLAND	As required
THICKENSS	4 to 5mm
EARTHING POINT	Provided at Both sides of the box through mounting Lugs.(Grid Plate is Connected to mounting lugs and the earthing connection is to be made through earthing screws on it, Gland Earthing Tag is also Provided.
INSTALLATION	SS mounting lugs provided
MOUNTING OF TERMINALS	G.I. Grid Plate Provided
TERMINALS	Elmex / Brown / Conncetwell

Title : Junction Boxes
General Layout

LOTUS FIBRE
Drg No. JB -01/02/03/04



TYPE **A** **B** **C** **D**

JB - 01	105	105	70	50
JB - 02	135	165	95	85
JB - 03	140	220	95	85
JB - 04	225	300	120	85 (UNDER DEVELOPMENT)

Product Improvement is a Continuous Process hence SPECIFICATION are Subject to change without Intimation